

# ENERVEX®

## MFD MECHANICAL FIREPLACE DAMPER

3912053 07.16

Product Information

### Use

The MFD Mechanical Fireplace Damper prevents conditioned air from escaping up through the chimney when the fireplace is not in use, and prevents backdraft down the chimney. It is designed for chimney top installations

### Description

The MFD is used as a component in a combined fan and damper system. The damper actuator can be interlocked to a control (ADC100 or ADC150) so it only operates when the fireplace is in use and the fan is running.

The MFD is powered by a 120 or 24 VAC actuator. The actuator is interlocked to the control so it only operates when the fireplace is in use and the fan is running. When there is a call for heat from the fireplace, the control begins its operational sequence to open the damper and start the chimney fan. Once the damper opens and there is sufficient draft in the chimney, the control releases the gas valve for fireplace operation.

The actuator has two endswitches to prove damper position (open or closed) and is equipped with the EDrive fail safe system to open the damper in the event of an electrical or mechanical failure.

The MFD is designed for chimney top installations and is for use with gas fireplaces only.

The damper is rated for temperatures up to 1400°F (760°C).

### Material

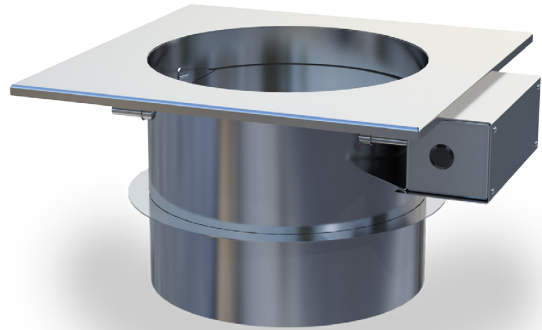
All metal components are 316L stainless steel. Top plate is constructed of 16GA and other components are 18GA.

### Standard Equipment

- Damper with chimney adapter
- 24VAC or 120VAC acuator
- NEMA 3R Enclosure

### Warranty

2-Year Factory Warranty. Complete warranty conditions are available from ENERVEX Inc.



# ENERVEX® MFD MECHANICAL FIREPLACE DAMPER

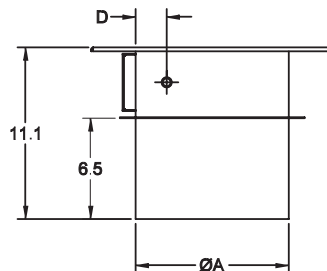
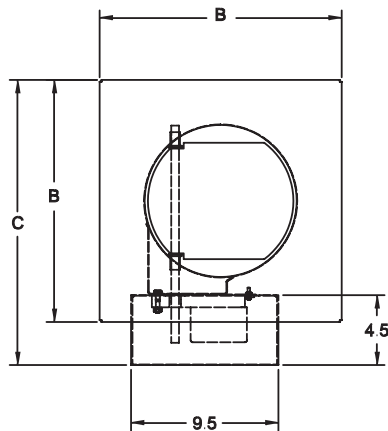
3912053 07.16

Product Information

## Specifications

Fan Model		RS009 and RS012									
Chimney Size		6"	8"	10"	11"	12"	13"	14"	16"		
Dimensions	Ø A	in	5.87	7.87	9.87	10.87	11.87	12.87	13.87	15.87	
		mm	149	200	251	276	302	327	352	403	
	BxB	in	15.60	15.60	15.60	15.60	15.60	15.60	15.60	15.60	19.70
		mm	396	396	396	396	396	396	396	396	500
	C	in	15.75	16.75	17.75	18.25	18.75	19.25	19.75	19.75	22.80
		mm	400	425	451	463	476	489	502	502	579
	D	in	2.11	2.27	2.44	2.52	2.61	2.69	2.77	2.77	2.94
		mm	54	58	62	64	66	68	70	70	75

Fan Model		RS014 and RS016										
Chimney Size		8"	10"	11"	12"	13"	14"	16"	18"	20"		
Dimensions	Ø A	in	7.87	9.87	10.87	11.87	12.87	13.87	15.87	17.87	19.87	
		mm	200	251	276	302	327	352	403	454	505	
	BxB	in	19.70	19.70	19.70	19.70	19.70	19.70	19.70	19.70	23.30	24.50
		mm	500	500	500	500	500	500	500	500	592	622
	C	in	18.80	19.80	20.30	20.80	21.30	21.80	22.80	25.60	27.20	
		mm	477	503	516	528	541	554	579	650	691	
	D	in	2.27	2.44	2.52	2.61	2.69	2.77	2.94	3.11	3.27	
		mm	58	62	64	66	68	70	75	79	83	



Specifications are subject to change without notice.

ENERVEX Inc.  
1685 Bluegrass Lakes Parkway  
Alpharetta, GA 30004  
USA

P: 770.587.3238  
F: 770.587.4731  
T: 800.255.2923  
info@enervex.com  
www.enervex.com

**ENERVEX®**  
VENTING DESIGN SOLUTIONS

